



# ZODIAC

## Nature<sup>2</sup> Professional G Inground Sanitizer

### Vessel Installation and Operating Manual



**IMPORTANT**  
**Pool Owner, save this manual!**  
**Builders, leave this manual with the pool owner!**

Thank you for purchasing Nature<sup>2</sup>. This Nature<sup>2</sup> Professional G Inground Vessel provides the housing for the G Inground Replacement Cartridge which is sold separately. Always refer to the owner's manual included with your cartridge for proper start-up procedures and the required low chlorine recipe. Remember, your authorized Zodiac Nature<sup>2</sup> dealer can provide professional advice and service.

<b>Contents</b>	<b>Page</b>
Safety Instructions .....	1
Specifications .....	2
Installation .....	2
Provide Filtration/Circulation .....	2
Troubleshooting .....	2
Bypass Installation .....	3
Replacing the Nature <sup>2</sup> Cartridge .....	3
Parts List .....	3
Warranty .....	4

## Safety Instructions - Important Information Please read prior to installation

**⚠️ WARNING** Failure to heed the following warnings can result in permanent injury, or drowning.

### EQUIPMENT UNDER PRESSURE

- Always turn pump off prior to installing or changing any Nature<sup>2</sup> vessel or cartridge. Your pump/filter system is operated under pressure and the pressure must be released before you begin work. Please see your pump/filter owner's manual for further instructions.

### PREVENT CHILD DROWNING

- Do not let anyone, especially small children, sit, step, lean or climb on any equipment installed as part of your pool's operational system. Locate the components of your operational system at least 3 feet from the pool so children cannot use the equipment to access the pool and be injured or drown.

The Nature<sup>2</sup> Pool Sanitizer is designed for residential swimming pools only.

Nature<sup>2</sup> is a registered trademark of Zodiac Pool Care, Inc.  
© Copyright 2002 Zodiac Pool Care, Inc.



# Specifications

**Capacity:** up to 45,000 gallons

**Dimensions:** 20" x 11" x 11.5"

**Ports:** 2" PVC SKT inlet and outlet or 1.5" FPT

**Weight:** 10 lbs

**Circulation system flow rate:** 30-120 GPM

**Vessel flow rate:** 10-18 GPM (internal by-pass)

**Maximum operating pressure:** 50 psi

**Replacement cartridge:** (sold separately)

**G25** 10,000 to 25,000 gallons

**G35** 25,000 to 35,000 gallons

**G45** 35,000 to 45,000 gallons

**Important:** The proper replacement cartridge model is indicated on the front label of your Nature<sup>2</sup> vessel.

**Limited warranty:** Vessel - 5 years

## 1 Installation

If you decide to install the Nature<sup>2</sup> Vessel yourself, follow the instructions on this page. The letters in parentheses refer to a diagram on page 3 on this manual.

This vessel has been equipped with an automatic flow-control device, designed to properly regulate the correct amount of water through the cartridge. Under normal pump and filter pressure conditions on inground pool systems, the flow rate to the inlet side of the vessel is 30 to 80 gpm.

**Important:** If your pump system is designed to produce flow rates greater than 80 gpm, you should remove the orange flow control diaphragm (K) from the vessel prior to installation. If your pump system is designed to produce flow rates greater than 120 gpm or if plumbing is greater than 2", then your vessel must be installed in a bypass configuration (see page 3).

### Installation

**1 Decide where** to install the Nature<sup>2</sup> vessel. It must be installed:

- on a concrete slab to support the weight of the vessel,
- after the filter on the main return to the pool,
- before or after the heater (downstream from a solar heating system),
- before any chemical dispenser or the discharge of an off-line chemical dispenser.

**2 Locate the 2" socket inlet (H) and outlet (M) connections** on the vessel.

**Important:** Make sure the pump and filter are turned off prior to Step 3 of the installation process.

**3 Connect the outlet from the filter to the vessel inlet port (H)** with the appropriate Schedule 40 PVC pipe\*; secure the connection with a pipe glue that is compatible with PVC.

**4 Connect the vessel outlet port (M) to the pool's return line** with the same type of PVC pipe\*; secure the connection with the pipe glue.

**5 Allow sufficient time** for the glue to dry.

**6 Screw on the Locking ring (B)** until it is snug. *Do not overtighten.* Check that all connections are secure.

**Important:** Do not install the Nature<sup>2</sup> Cartridge (E) yet.

**7 Start the pump**, check for leaks and repair any leaks you find.

**8 Refer to your Nature<sup>2</sup> Replacement Cartridge Owners Manual for cartridge start-up procedures.**

\* The Nature<sup>2</sup> vessel can be reduced to accommodate 1.5" plumbing by using reducing bushings. These bushings will have no effect on the operation of the Nature<sup>2</sup> vessel.

## 2 Provide Filtration/Circulation

**To manage:**      **You need to:**

**Circulation**      Follow the manufacturer's directions for keeping the circulating pump in good working order and **operate it at least six hours a day.** Consult your Nature<sup>2</sup> dealer for optimum run times.

**Filtration**      Check the pool's filter periodically and clean it as recommended by the manufacturer.

## Troubleshooting Guide

Consult your Nature<sup>2</sup> Dealer for additional assistance or call 1-888-786-7797.

	<b>Problem</b>	<b>What to look for</b>	<b>Treatment</b>
<b>Equipment</b>	The vessel leaks	A. O-ring missing or improperly seated	Be sure O'ring (part #13073) is secure in the groove on the underside of the cap (C), and not on the vessel (F)
		B. Faulty plumbing	Repair source of leak in plumbing.
	No flow to vessel	Dirty filter (one indication: pressure is 8-10 psi higher than normal)	Clean or backwash filter so operating pressure is always within 7 psi of a new filter.

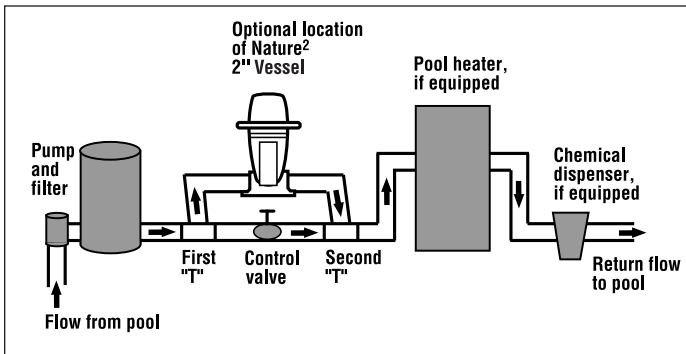
# Bypass Installation

The 2" Nature<sup>2</sup> vessel may need to be installed in bypass to the filtration system if plumbing size is greater than 2" diameter or if flow rates are greater than 120 gpm.

If the Nature<sup>2</sup> vessel is to be installed below the water level of the pool, precautions must be taken to prevent the pool from draining during installation and during cartridge change. Valves should be installed to isolate the vessel for these situations.

All PVC fittings must be attached to the Nature<sup>2</sup> base using standard PVC cement. The vessel should be set on a firm base.

The Nature<sup>2</sup> vessel is installed on a bypass loop after the filter and always before a chemical dispenser, if equipped, as shown below.



## To create the bypass:

- 1 **Install a "T" in the return line** to allow water to divert to the Nature<sup>2</sup> vessel. This "T" is then connected to the inlet of the vessel.
- 2 **Install a control valve in the return line** after the first "T" and before the second "T".
- 3 **Fully open any valves (including the control valve) that were closed** to isolate the vessel.
- 4 **Start the pump** allowing water to pass through the newly plumbed system. The control valve in the return line between the two "T"s will control the flow through the vessel.
- 5 **With the control valve open**, read the pressure on the filter gauge.
- 6 **Adjust the control valve** until the filter gauge increases by 1.5 psi.

**Note:** For flows in excess of 120 gpm with the Nature<sup>2</sup> vessel in bypass, do not exceed 1.5 psi increase in filter backpressure. Once 1.5 psi is reached in this situation the flow is correct through the vessel.

- 7 **Check the vessel** for leaks and fix or replace any leaking fittings.
- 8 **Follow the start up procedures** included with the Nature<sup>2</sup> replacement cartridge.

### Model Professional G

Reference Letter	Part	Part No.
A	Month Indicator Ring	15212
B	Locking Ring - Gray	15725
C	Cap - Gray	15910
D	Lid O-ring	13073
E	Cartridge	see front page
F	Vessel	
G	Winter Drain	13042
H	Inlet Port	15003
I	Gasket	13087
J	Outlet/Inlet O-ring	13035
K	Flow Control	13050
L	Big Boy O-ring	13075
M	Outlet Port	15013

# Replacing the Nature<sup>2</sup> Cartridge

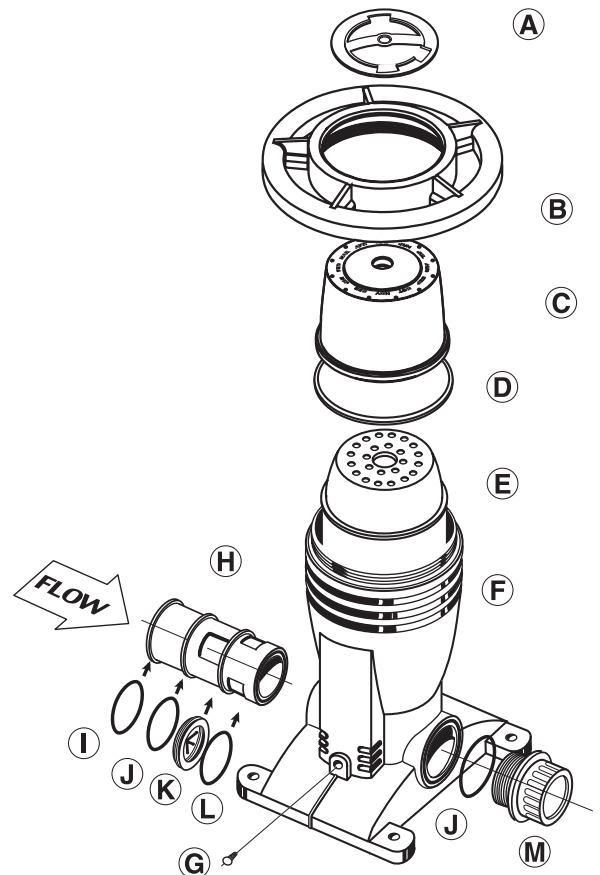
Use the month indicator ring (A) on the top of the unit to identify the date on which the cartridge should be replaced. A cartridge for Nature<sup>2</sup> Professional G Inground Vessel lasts six months.

## To replace the cartridge:

- 1 **Shut off your pool's pump and filter.**
- 2 **Close any valves between the filter and pool** to prevent draining the pool.
- 3 **Unscrew the locking ring (B)** counterclockwise and remove. Lift cap (C) straight off. You may need to gently rock back and forth to remove.
- 4 **Remove the old cartridge.**
- 5 **Insert the new cartridge.**
- 6 **Place cap** so it rests flat on the housing base. Screw locking ring clockwise until snug: **Do not overtighten.** **Important:** Make sure O-ring is secure in the groove on the underside of the cap (C) and *not* on the vessel (F).
- 7 **Rotate the month indicator ring (A)** on the cap top so that the current month is visible in the installation window.
- 8 **Open any valves that were closed** to isolate the Nature<sup>2</sup> vessel.
- 9 **Restart your pool's pump.** Check for leaks and fix any leaking fittings.
- 10 **Follow the start up procedures** included with your Nature<sup>2</sup> replacement cartridge.

## To install the month indicator ring:

- 1 **Insert the ring (with small O-ring in place)** into the hole in the center of the cap.
- 2 **Apply pressure with the palm of the hand until the ring slips down into place.**
- 3 **Adjust the month indicator ring to the appropriate month.**



# Limited Warranty

## **NATURE<sup>2</sup> PROFESSIONAL G VESSEL LIMITED WARRANTY**

The limited warranties contained within this document are the only warranties given with your Nature<sup>2</sup> Professional G Vessel and supercede any prior warranties. **All other warranties, expressed or implied, including the implied warranty of merchantability or the implied warranty of fitness for a particular purpose are hereby disclaimed.** Our sole obligation under this warranty, and the purchaser's sole remedy, is limited to repair or replacement of the Nature<sup>2</sup> Professional G Vessel, or one of its parts. The Nature<sup>2</sup> warranty applies to the original owner only.

## **THE LIMITED WARRANTIES OF THE NATURE<sup>2</sup> PROFESSIONAL G VESSEL:**

The Nature<sup>2</sup> Professional G Vessel you have purchased is warranted to be free of defects and materials and workmanship for a period of five years from the date of purchase. Your warranty registration card must be completed and mailed to Nature<sup>2</sup> to establish your installation date.

## **EXCLUSIONS FROM WARRANTY**

The Nature<sup>2</sup> Professional G Vessel is designed for use on inground pools up to 45,000 gallons, dependent on replacement cartridge size. If the unit is used in any other application, the warranty is void, and the purchaser and/or pool owner releases the manufacturer from any and all claims related to the use of Nature<sup>2</sup>.

This warranty does not cover problems arising in whole or in part from purchaser's negligence, misuse or abuse, improper maintenance or storage, accident, improper installation, improper application, failure to follow all appropriate safety precautions, Acts of God, abnormal weather conditions, damage from plants or animals, and improper use of chemicals.

This warranty specifically excludes all incidental or consequential damages, except where state law requires them to be paid. This warranty gives you specific rights. You may have other rights that vary from state to state.

## **TO SUBMIT A CLAIM**

Report claims to Zodiac Pool Care, Inc. by calling 1-888-537-6657. Only the original purchaser may submit a claim under this limited warranty. All claims must be accompanied by an original purchase receipt.



Zodiac Pool Care, Inc.  
2028 NW 25th Avenue  
Pompano Beach, FL 33069  
1-800-YES-PURE  
[www.nature2.com](http://www.nature2.com)